



# Hybrid Mini Digger

The 1.9 tonne excavator switches easily from diesel engine to zero emissions electric motor for indoor and outdoor use

## ⚡ Intuitive Operation

- Switch on and off with the ignition key
- Power adjustment via the throttle
- Automatic switch to the electric mode when the power cable is connected

## ⚡ Maximum Efficiency

- Low operating costs in electric mode
- Multiple application possibilities = high utilisation rate
- Increased performance

**TB216H HYBRID MINI EXCAVATOR**

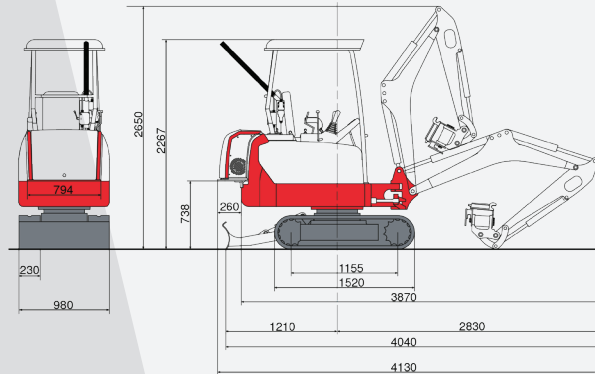
Part of the  
**Kelsey Eco Range**

# TB216H HYBRID MINI EXCAVATOR - SPECIFICATIONS

## Takeuchi TB216H Hybrid 1.9 Tonne Mini Excavator

Part of the Kelsey Eco Range from FTH, the TB216H at 1.9 tonne is one of the most popular sized compact excavators. It has a standard diesel engine for conventional use and an electric motor for 100% emission free operation when plugged into a 3-phase electricity supply.

Simply switched to electric mode the TB216H operates virtually silently with full functionality and increased performance up to a distance of 150m from the power source.



## ENGINE/MOTOR

3-Phase Electrical Connection V / Hz / A **400V / 50Hz / 32A**

Rated Output Diesel kW/rpm **11.1kW / 2400rpm**

Rated Output Electrical kW/rpm **10.6kW / 2400rpm**

## OPERATING INFORMATION

Max. Digging Depth (mm) **2390mm**

Max. Dump Height (mm) **2705mm**

Max. Reach at Ground Level (mm) **4035mm**

Max. Vertical Digging Depth (mm) **2060mm**

Max. Bucket Digging Force (kN) **14kN**

Max. Arm Digging Force (kN) **8.2kN**

Ground Contact Length (mm) **1155mm**

Ground Pressure (kpa) **31kpa**

Travel Speed (km/h) **2.2 - 4.2**

Max. Gradeability **15°**

## DIMENSIONS & WEIGHT

Operating Weight inclusive of bucket and fuel (kg) **1905kg**

Overall Length for Transport (mm) **4130mm**

Width (mm) **980mm**

Height (mm) **2280mm**

Ground Clearance (mm) **295mm**

Min. Front Swing Radius (mm) **1480mm**

Slew Radius (mm) **1075mm**

Dozer Blade W x H (mm) **900 x 310**

